

REVISIONS				
ZONE	REV	DESCRIPTION	DATE	APPROVED

Dynamic Audio Engineering

Phono Preamp v2.1

SIZE	FSCM NO.	DWG NO.	REV
SCALE	Apr. 15, 2020	Preamplifier	

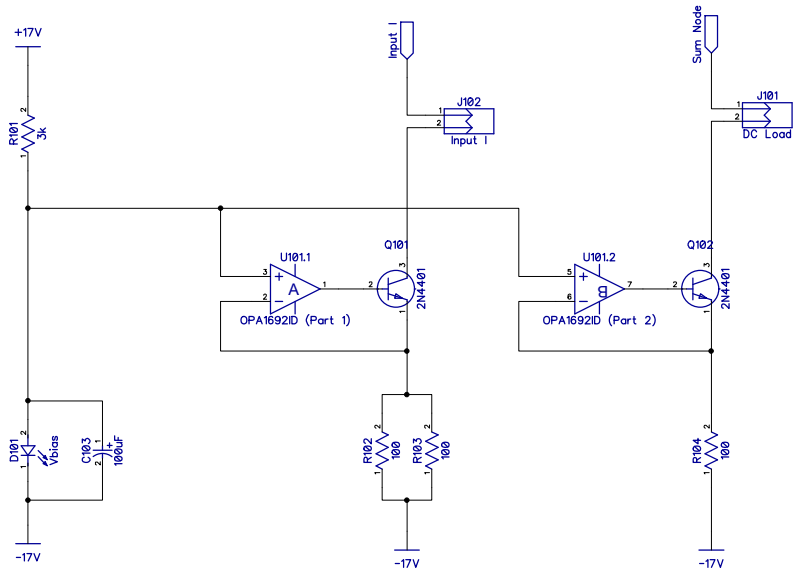
2

1

REVISIONS				
ZONE	REV	DESCRIPTION	DATE	APPROVED

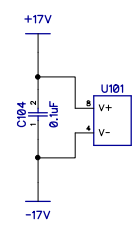
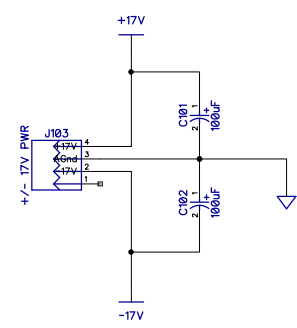
B

B



A

A



2

1

Dynamic Audio Engineering			
Phono Preamp v2.1			
SIZE	FSCM NO.	DWG NO.	REV
SCALE	Apr. 15, 2020	Power/Bias	