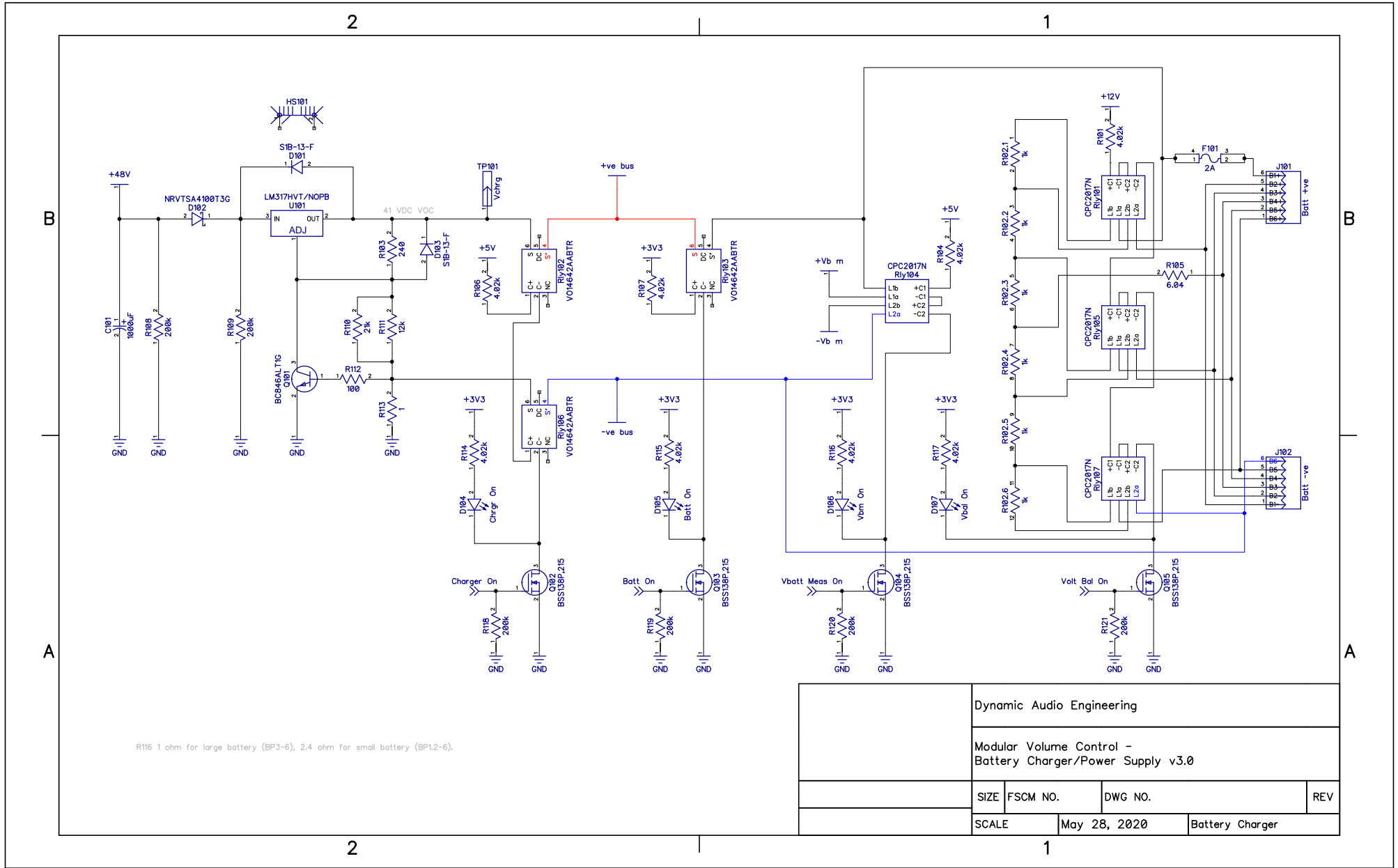


Dynamic Audio Engineering

Modular Volume Control -
Battery Charger/Power Supply v3.0

SIZE	FSCM NO.	DWG NO.	REV
SCALE	May 28, 2020	uController	



R116 1 ohm for large battery (BP3-6), 2.4 ohm for small battery (BP12-6).

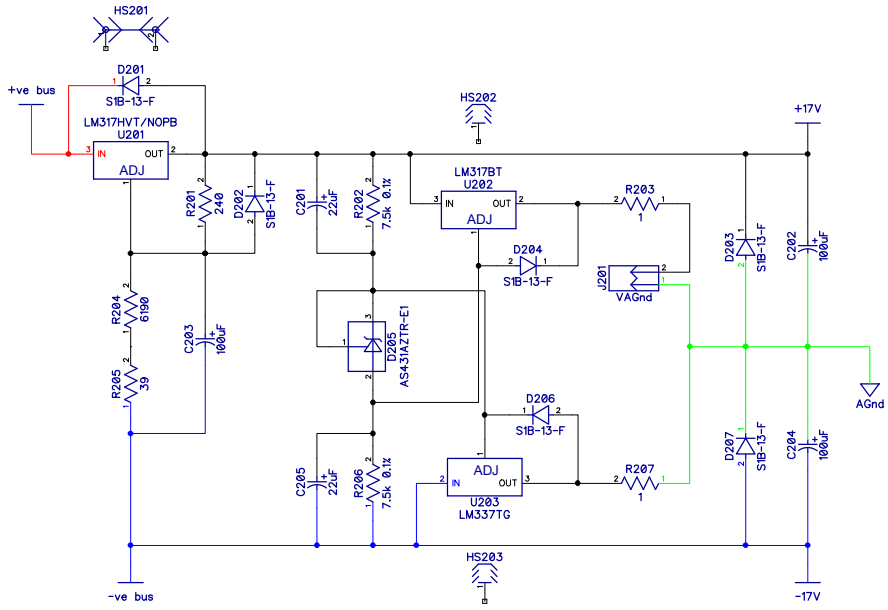
Dynamic Audio Engineering			
Modular Volume Control - Battery Charger/Power Supply v3.0			
SIZE	FSCM NO.	DWG NO.	REV
SCALE	May 28, 2020	Battery Charger	

2

1

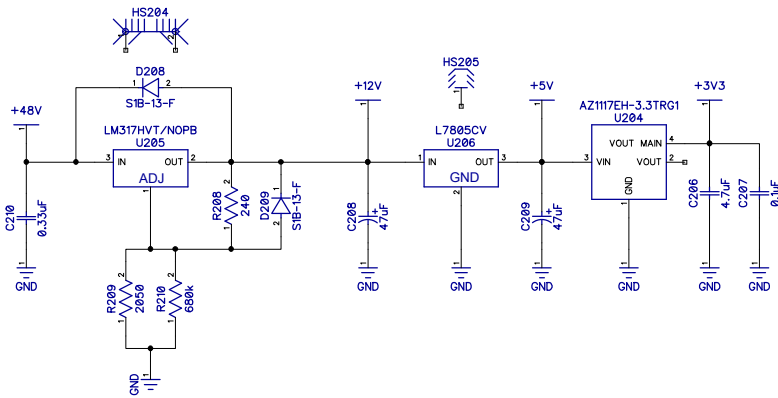
B

B



A

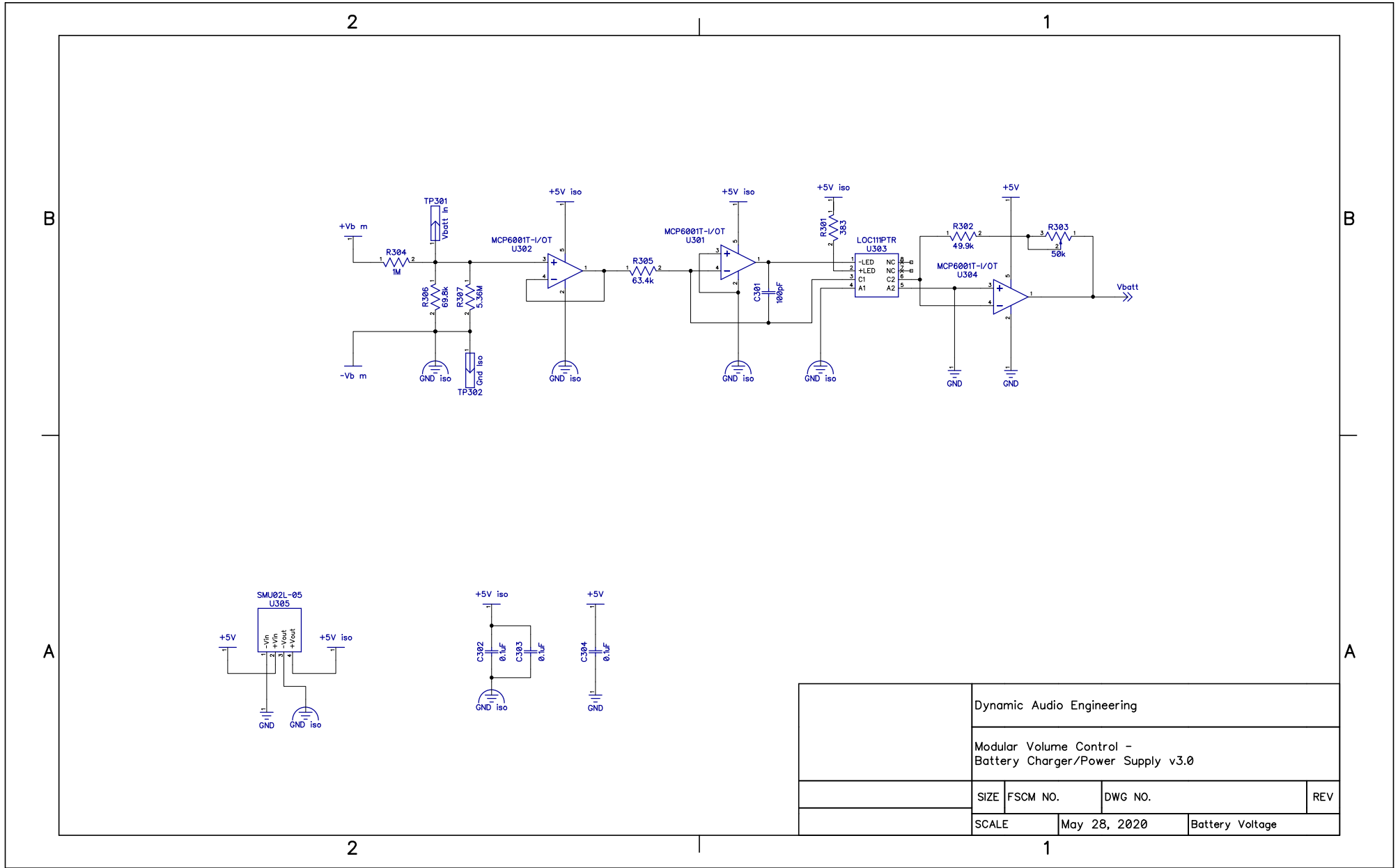
A



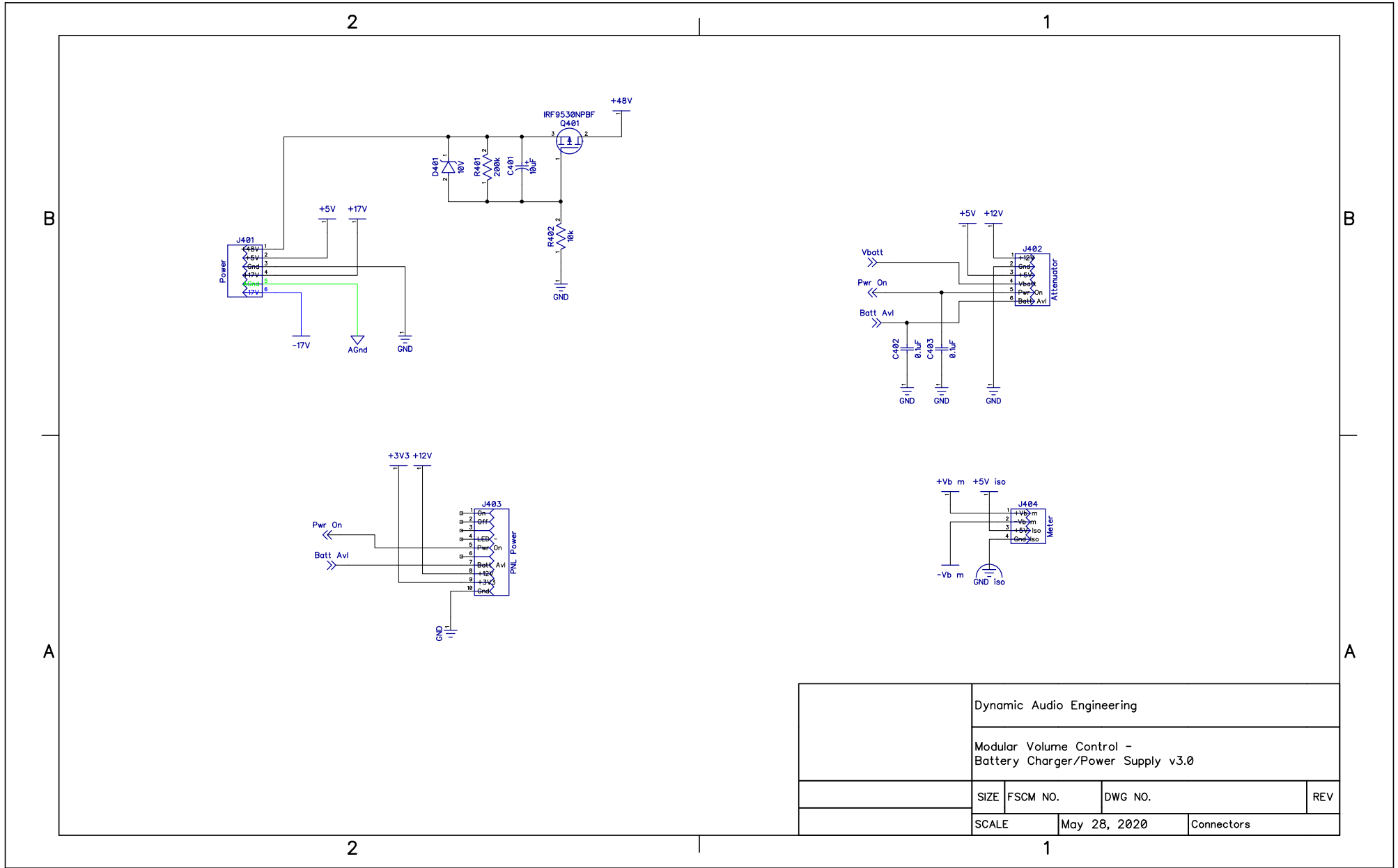
2

1

Dynamic Audio Engineering			
Modular Volume Control - Battery Charger/Power Supply v3.0			
SIZE	FSCM NO.	DWG NO.	REV
SCALE	May 28, 2020	Voltage Regulators	



Dynamic Audio Engineering			
Modular Volume Control - Battery Charger/Power Supply v3.0			
SIZE	FSCM NO.	DWG NO.	REV
SCALE	May 28, 2020	Battery Voltage	



Dynamic Audio Engineering

Modular Volume Control -
Battery Charger/Power Supply v3.0

SIZE	FSCM NO.	DWG NO.	REV
SCALE	May 28, 2020	Connectors	