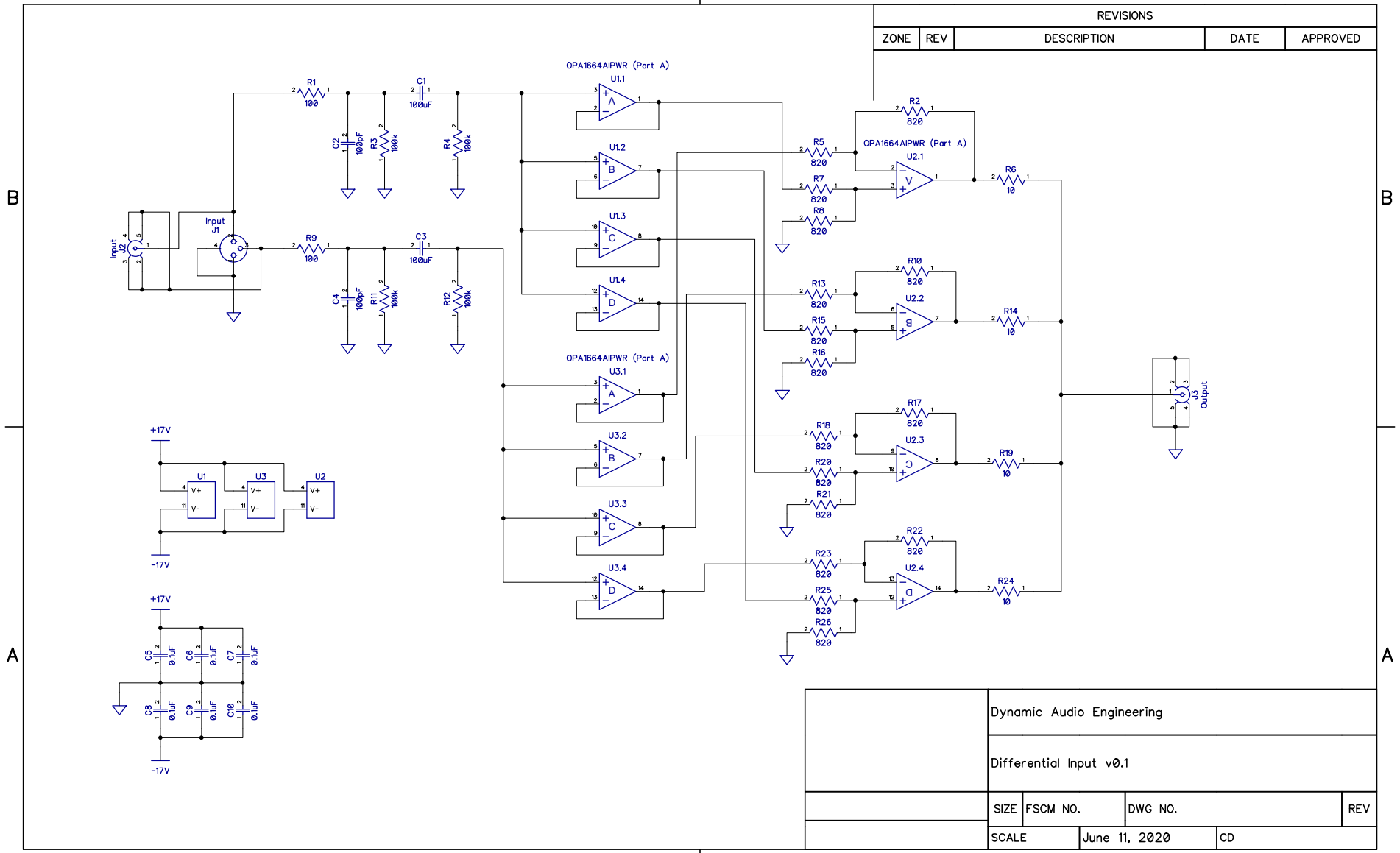


2

1

REVISIONS				
ZONE	REV	DESCRIPTION	DATE	APPROVED



B

B

A

A

2

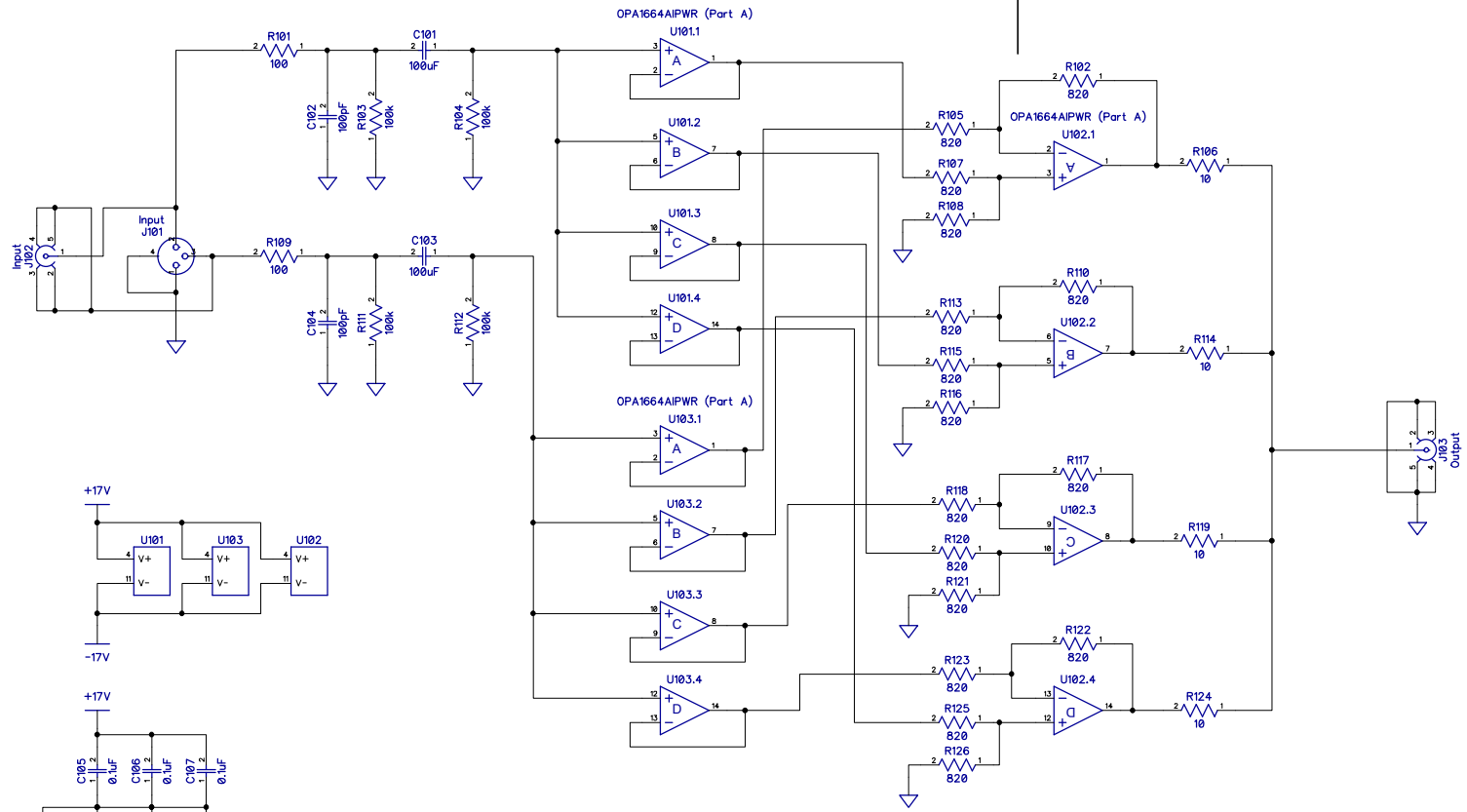
1

Dynamic Audio Engineering			
Differential Input v0.1			
SIZE	FSCM NO.	DWG NO.	REV
SCALE	June 11, 2020	CD	

2

1

REVISIONS				
ZONE	REV	DESCRIPTION	DATE	APPROVED



B

B

A

A

Dynamic Audio Engineering			
Differential Input v0.1			
SIZE	FSCM NO.	DWG NO.	REV
SCALE	June 11, 2020	A1	

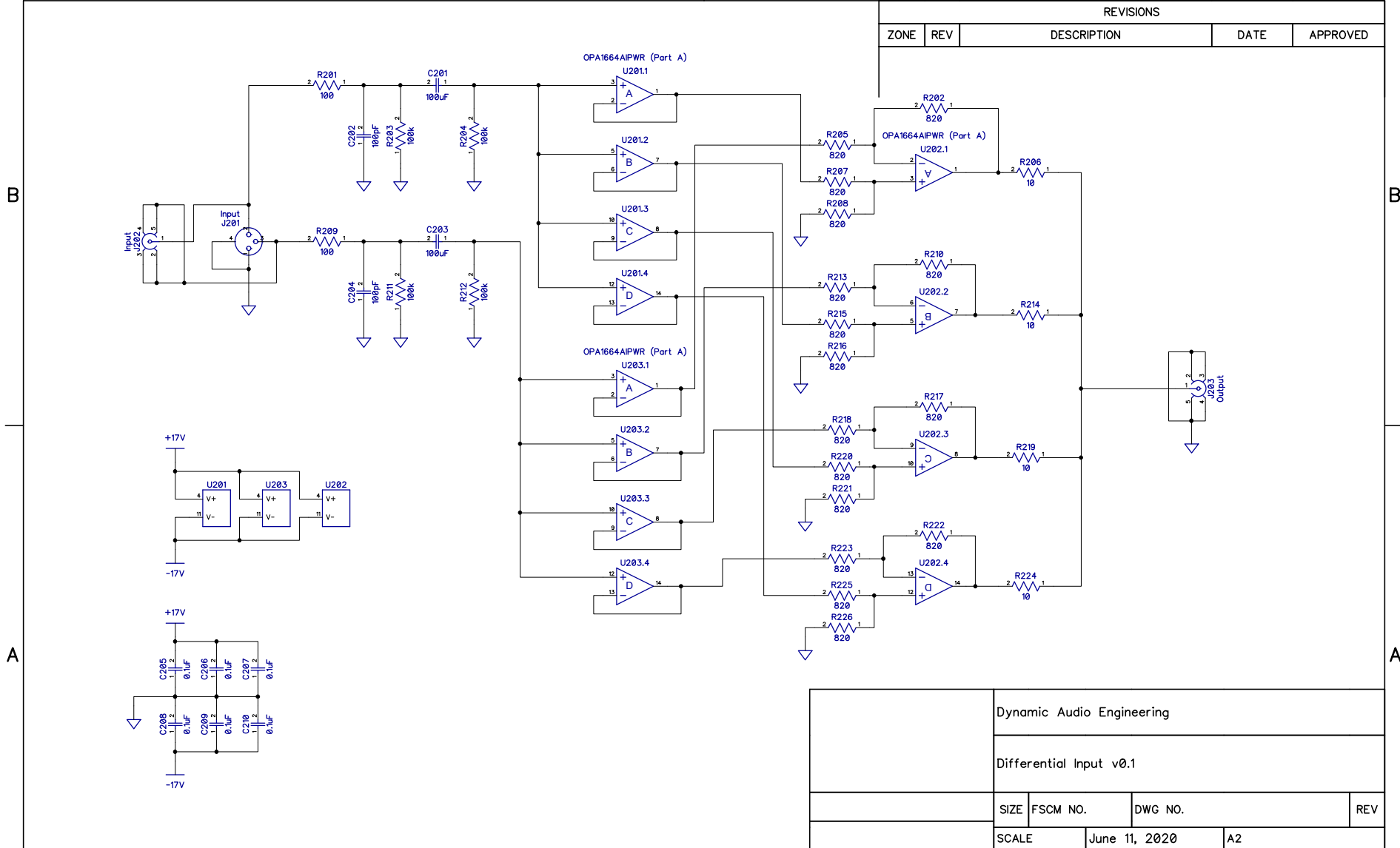
2

1

2

1

REVISIONS				
ZONE	REV	DESCRIPTION	DATE	APPROVED



B

B

A

A

2

1

Dynamic Audio Engineering			
Differential Input v0.1			
SIZE	FSCM NO.	DWG NO.	REV
SCALE	June 11, 2020	A2	

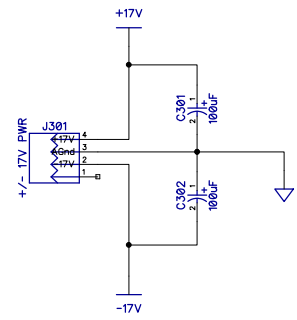
2

1

REVISIONS				
ZONE	REV	DESCRIPTION	DATE	APPROVED

B

B



A

A

2

1

Dynamic Audio Engineering			
Differential Input v0.1			
SIZE	FSCM NO.	DWG NO.	REV
SCALE	June 11, 2020	Connector	