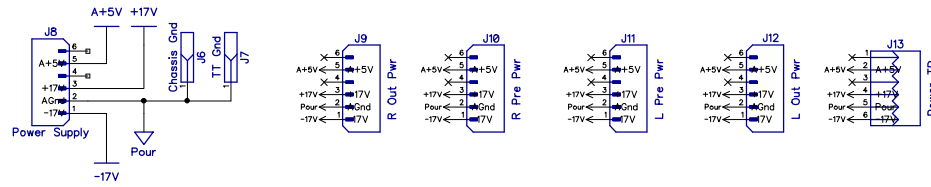
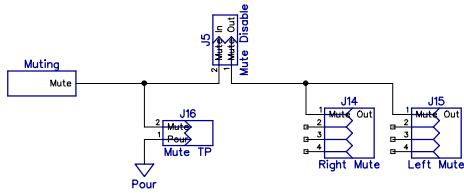
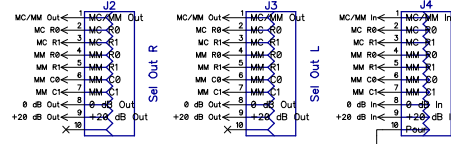
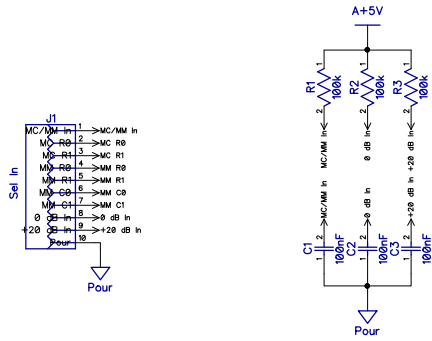


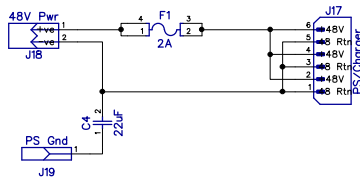
2

1

REVISIONS				
ZONE	REV	DESCRIPTION	DATE	APPROVED



Connect to Tensility 54-00063 Barrel Connector (+ve centre) Digikey 839-1291-ND
 With one half JST A02KR02KR26E51B Digikey 455-3146-ND.



Dynamic Audio Engineering

DAE VI v4.0 Phono Preamp- Rear Board

SIZE	FSCM NO.	DWG NO.	REV
SCALE	Jan 5, 2024	Phono Preamp	

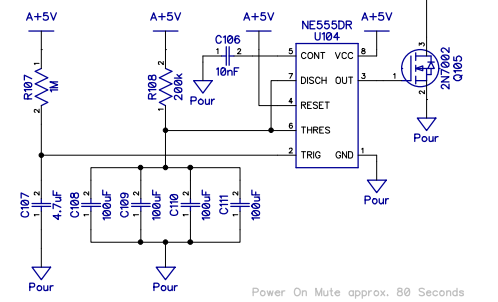
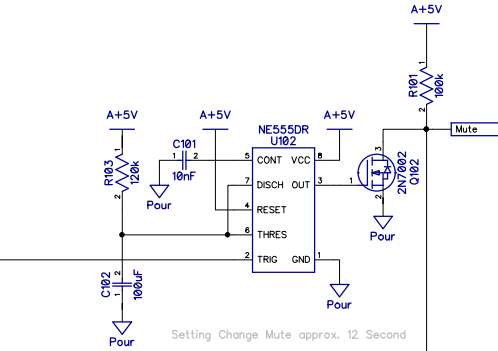
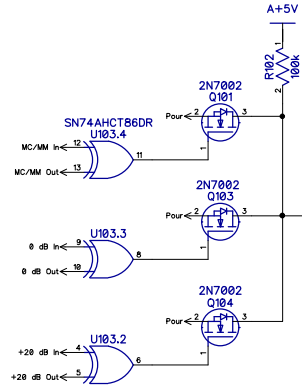
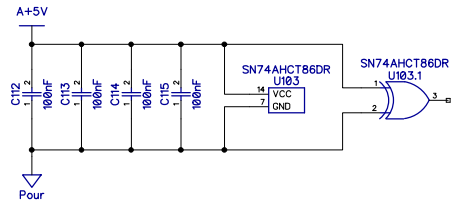
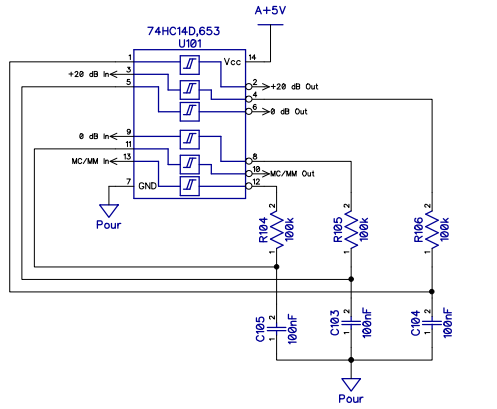
2

1

2

1

REVISIONS				
ZONE	REV	DESCRIPTION	DATE	APPROVED



Dynamic Audio Engineering			
DAE VI v4.0 Phono Preamp- Rear Board			
SIZE	FSCM NO.	DWG NO.	REV
SCALE	Jan 5, 2024	Muting	

2

1