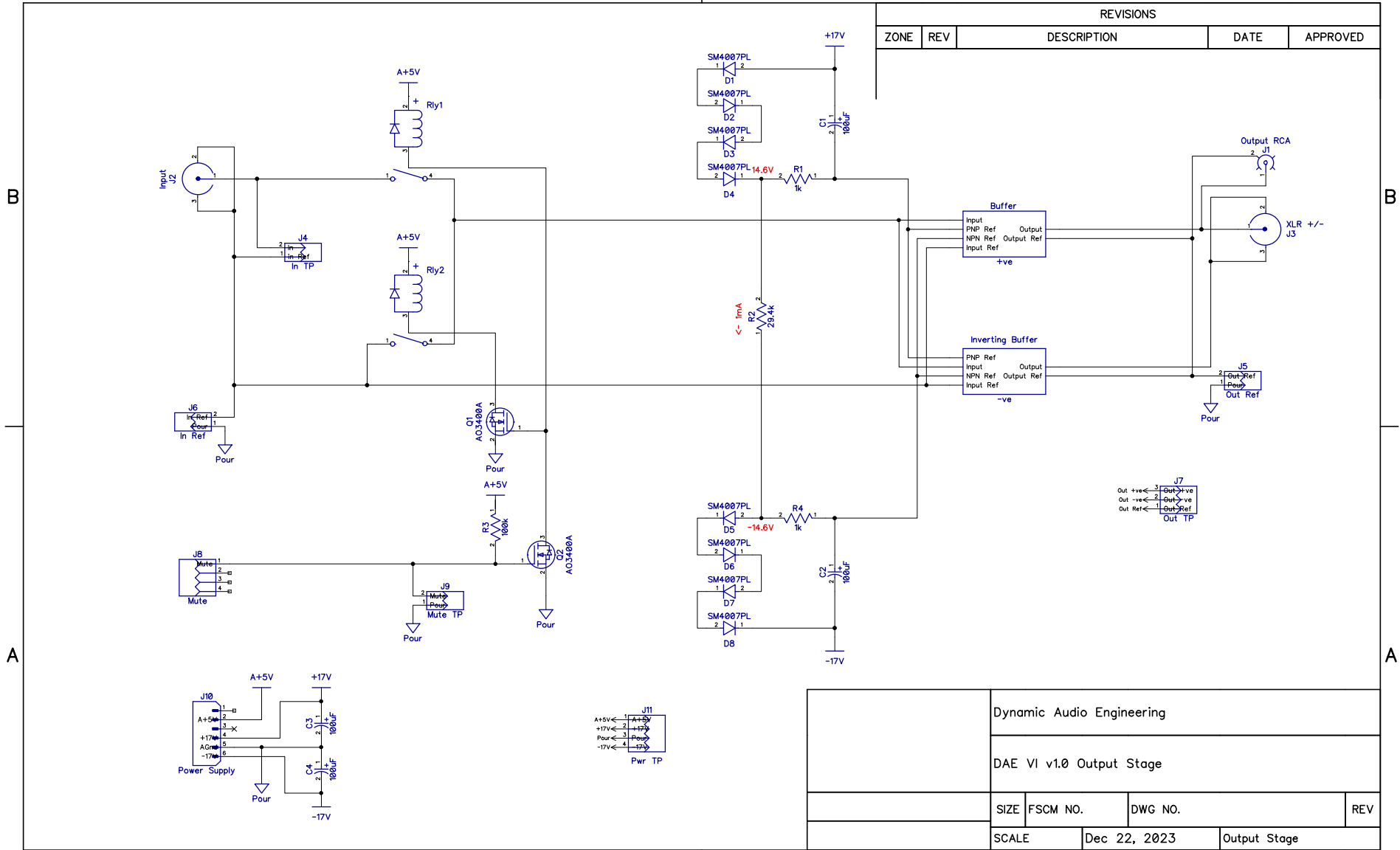


2

1



REVISIONS				
ZONE	REV	DESCRIPTION	DATE	APPROVED

Dynamic Audio Engineering

DAE VI v1.0 Output Stage

SIZE	FSCM NO.	DWG NO.	REV
SCALE	Dec 22, 2023	Output Stage	

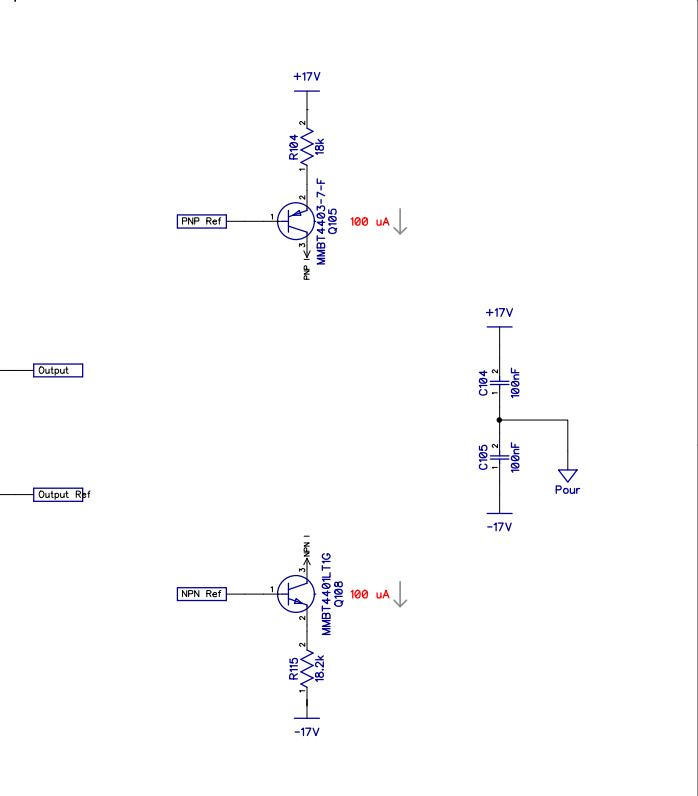
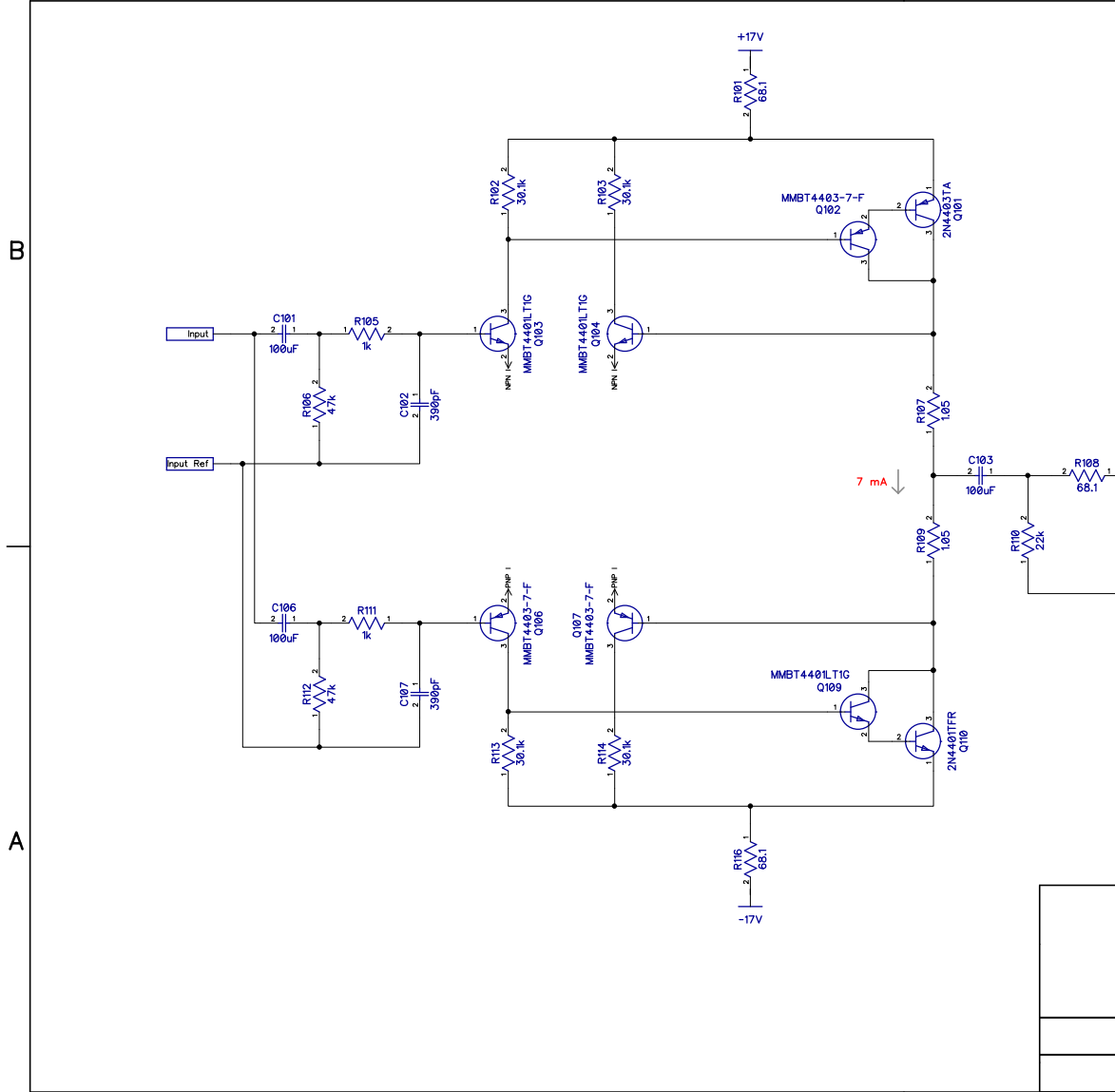
2

1

2

1

REVISIONS				
ZONE	REV	DESCRIPTION	DATE	APPROVED



B

B

A

A

2

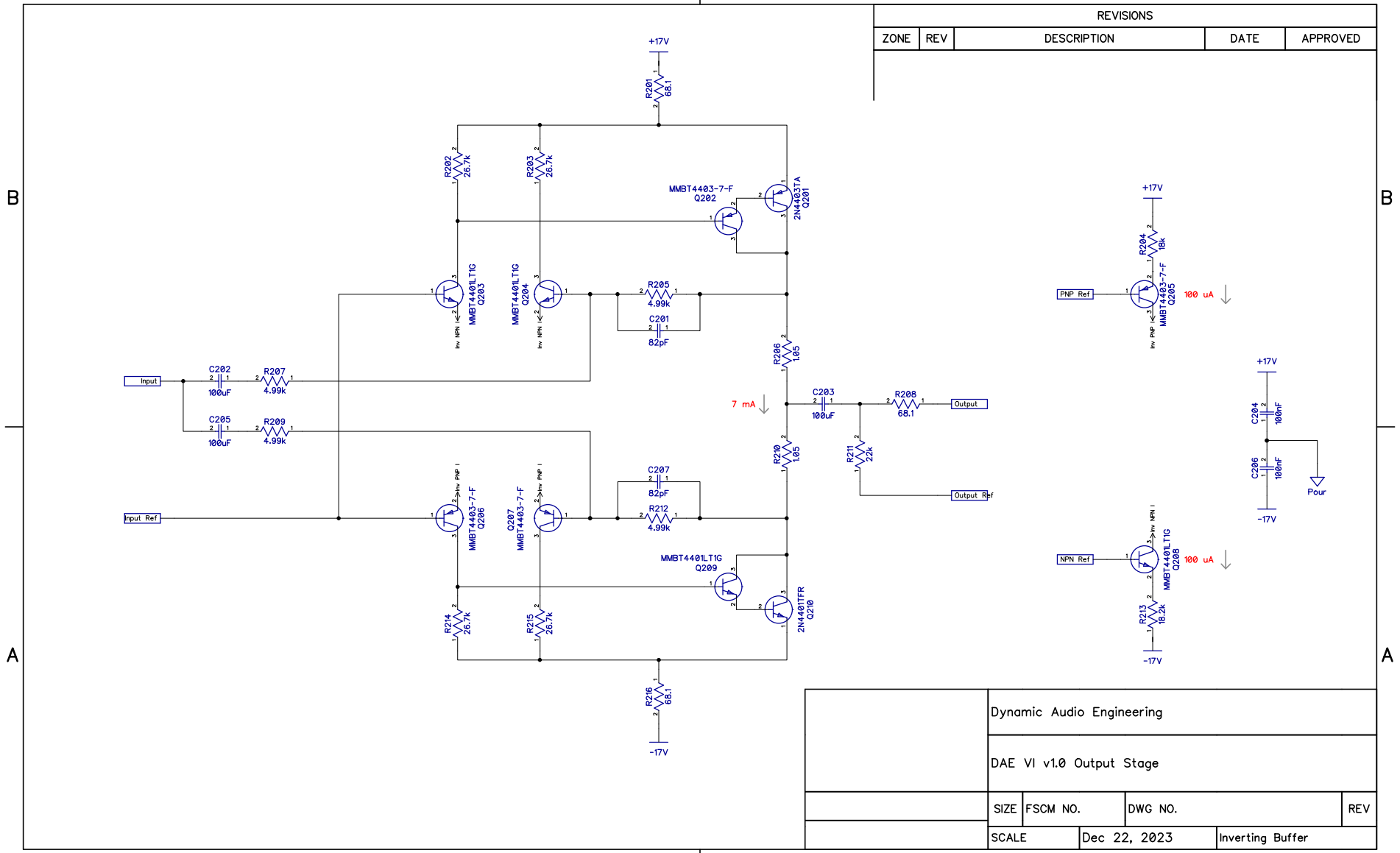
1

Dynamic Audio Engineering			
DAE VI v1.0 Output Stage			
SIZE	FSCM NO.	DWG NO.	REV
SCALE	Dec 22, 2023	Buffer	

2

1

REVISIONS				
ZONE	REV	DESCRIPTION	DATE	APPROVED



B

B

A

A

2

1

Dynamic Audio Engineering			
DAE VI v1.0 Output Stage			
SIZE	FSCM NO.	DWG NO.	REV
SCALE	Dec 22, 2023	Inverting Buffer	